

Academic Hall

Classroom Technology

Southeast Missouri State University

Getting Started

Classrooms

Academic Hall classrooms provide the same technology package for each room.

Instructions in this guide should work for any of the classrooms listed.

To operate the room equipment, there are three touch panel controls available. The largest display can be found on the wall mounted version near Podium 1. Each Podium tabletop is supplied with a smaller version of the controller.

Available Technology

Two **P**odiums

~Each podium consists of the following **I**nputs:

- 🗑️ PC
- 🗑️ Blu-ray Player
- 🗑️ CD Player
- 🗑️ Document Camera

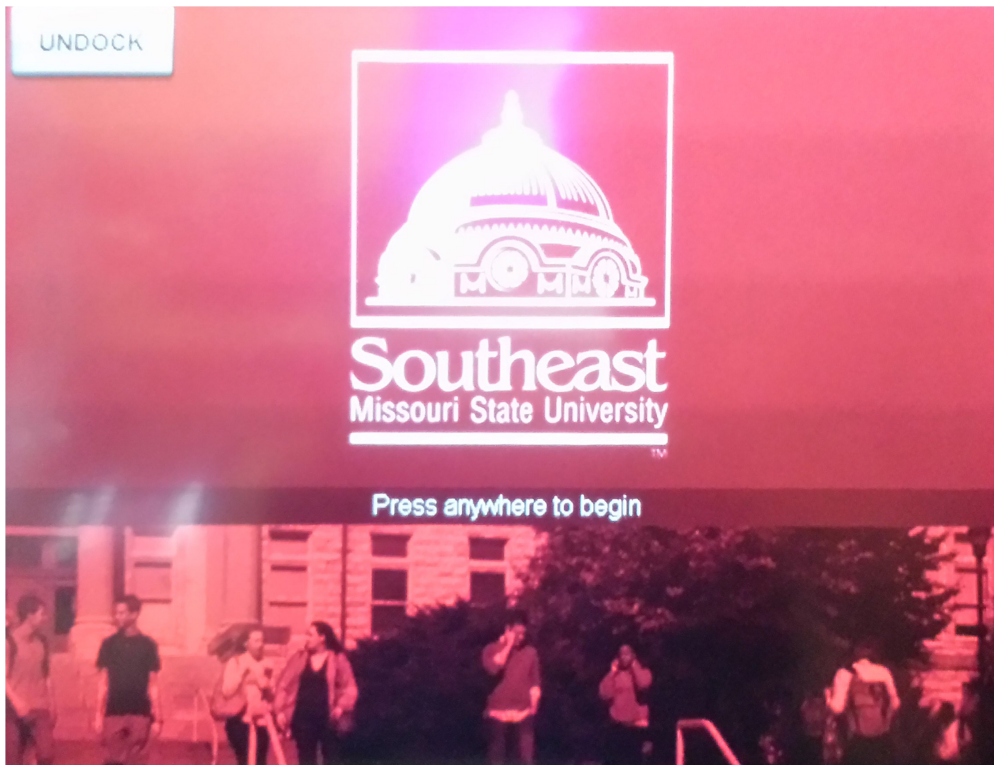
~The inputs can be projected at two **L**ocations:

- 🗑️ Smart Board
- 🗑️ Projector

~Microphones (2):

- 🗑️ Hand-held
- 🗑️ Clip-on





There is a removable control panel mounted on the wall. This device has a touch screen.

To remove panel:

1. Press the undock button.



2. Type in the PIN number.

3. The panel will project out from the control panel base.
4. Tilt the bottom forward and lift up to remove the control center

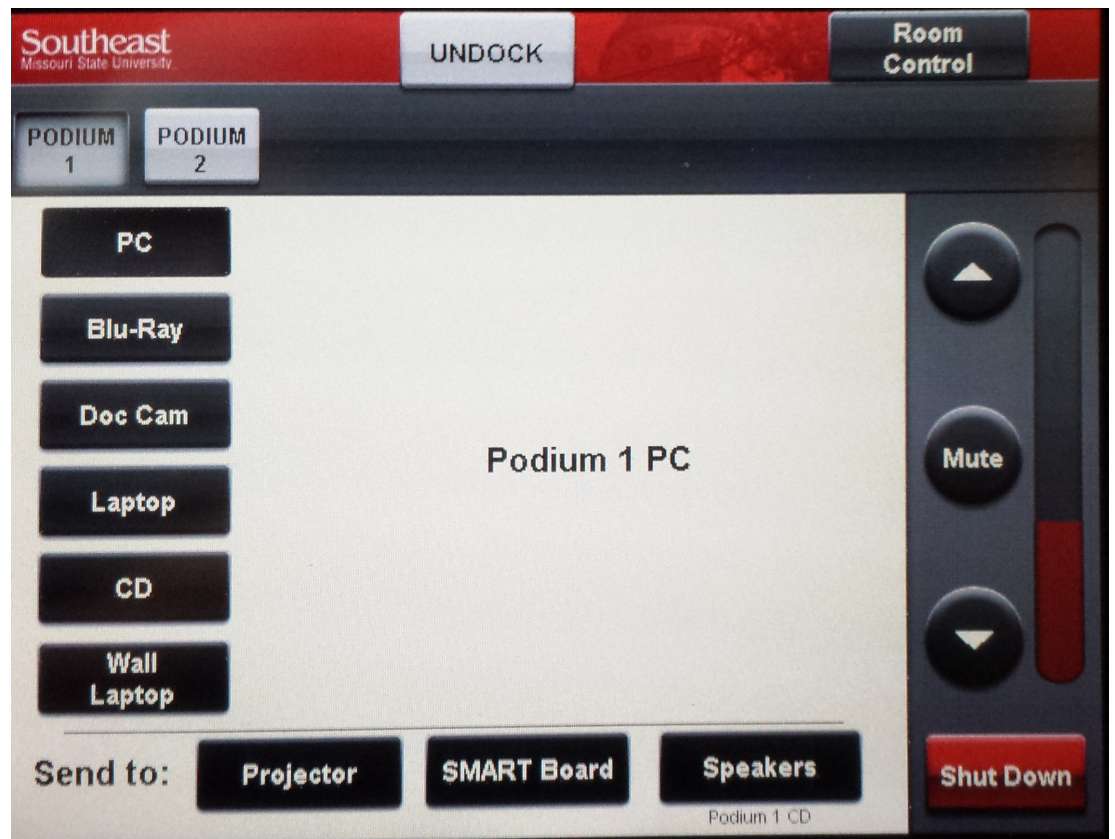


There are podium control centers at each computer location. These control centers are also touch screen enabled.

Note: The larger screen is on the wall mounted control center.



Each podium control station offers VGA and HDMI cables to connect a laptop to the system.

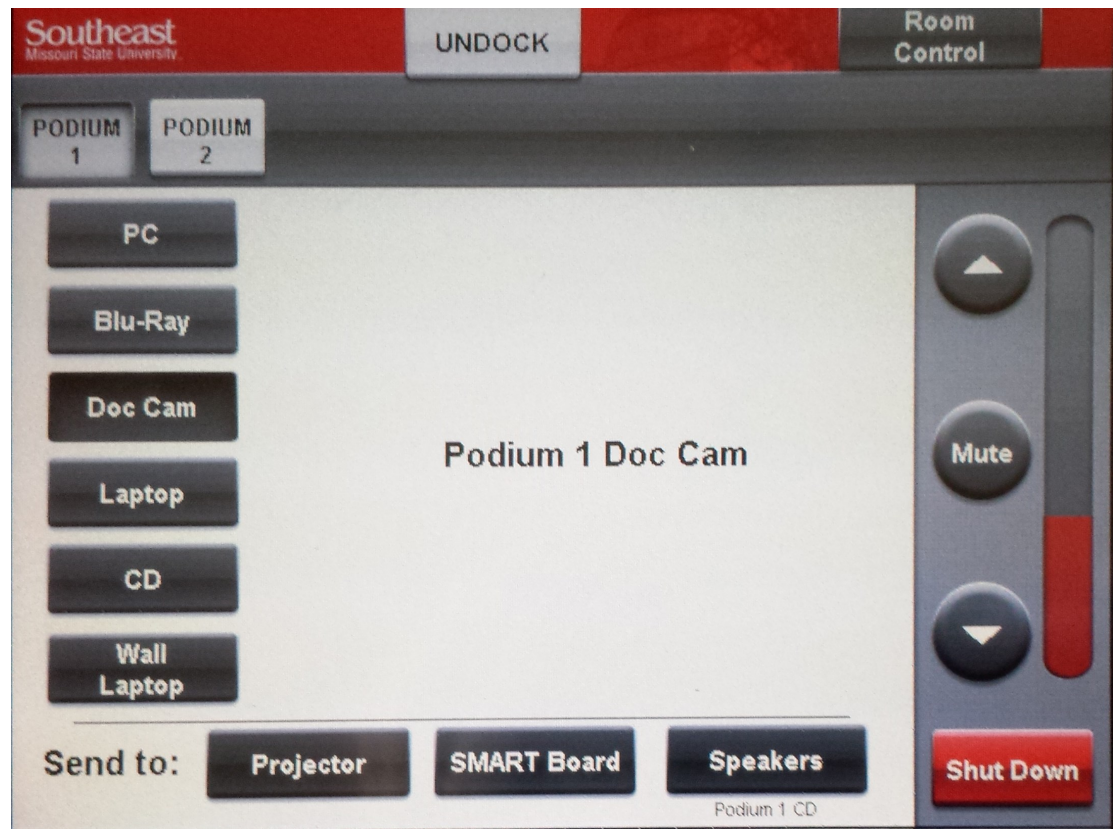


The system is easy to use. Simply select the podium (P) you are stationed, click the input device (I) you wish to use, then select the location (L) you want send the projection.



Blu-Ray Options

If you are choosing the Projector option for the first time, the projector will turn on and the screen will automatically lower.



Document Camera Options

If you are choosing the SMART Board option for the first time, the SMART Board projector will turn on.

PODIUM 1

PODIUM 2

PC

Blu-Ray

Doc Cam

Laptop

CD

Wall Laptop

Podium 1 Laptop

Send to:

Projector

SMART Board

Speakers

Shut Down

Podium 1 CD

Laptop Options

PODIUM 1

PODIUM 2

PC

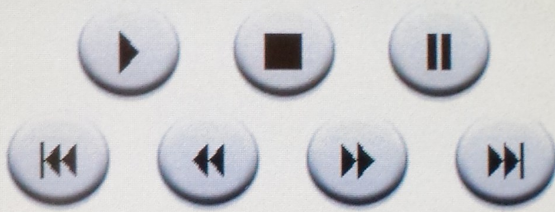
Blu-Ray

Doc Cam

Laptop

CD

Wall Laptop



Send to:

Projector

SMART Board

Speakers

Shut Down

Podium 1 CD

CD Options

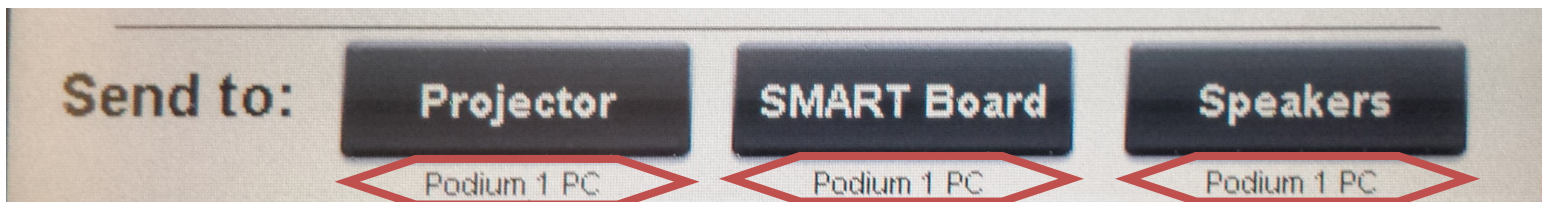


Wall Laptop Options

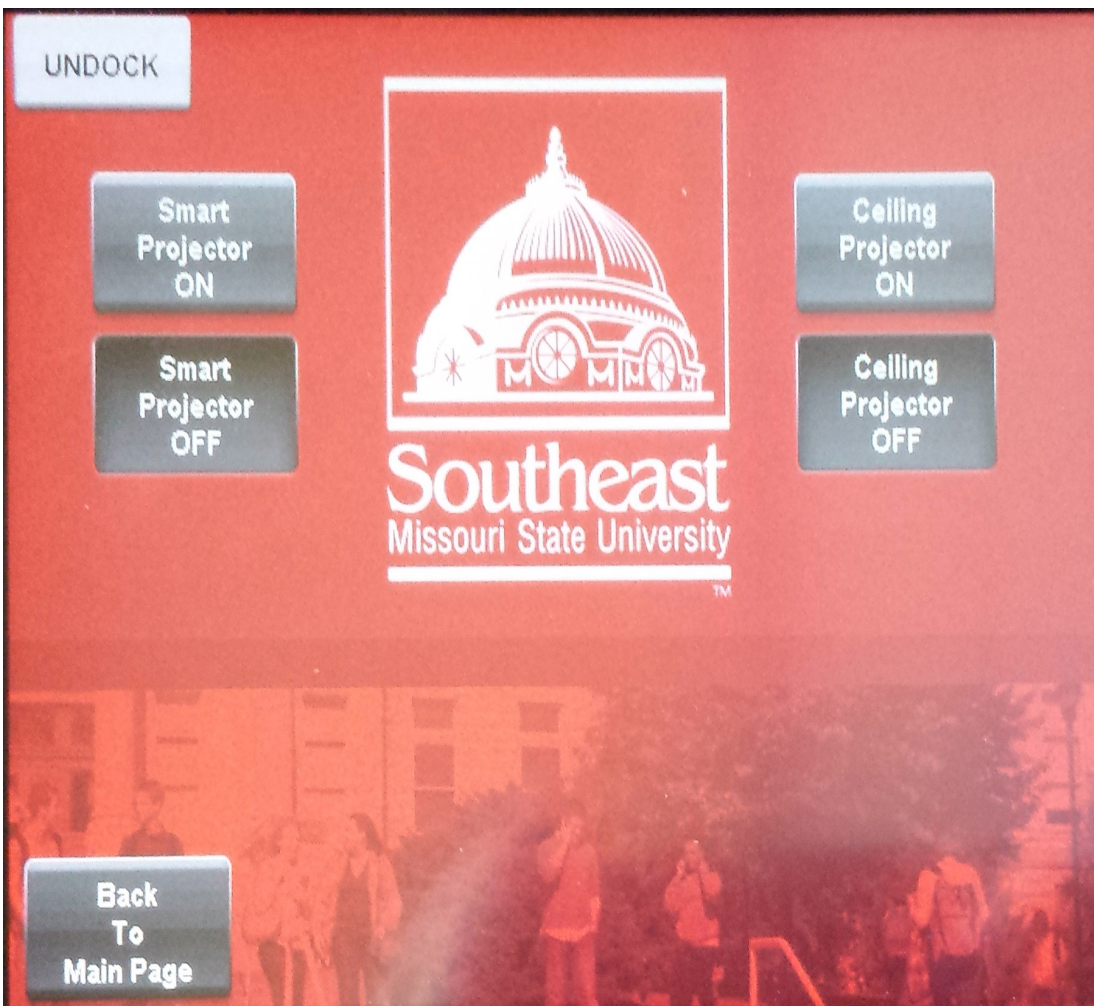


You can also connect a laptop to the system by using this wall outlet.

Note: You must provide your own cables for this use.



You can see where each device is sent by looking at the bottom of the screen.



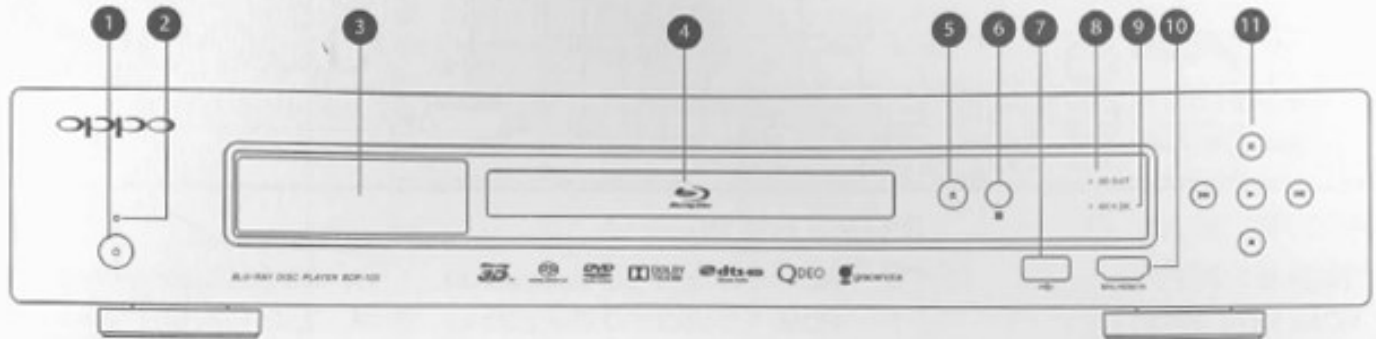
To shut down the system, select the room control option from the home screen and then select which devices you'd like to turn off.

Note: Make sure the projector bulb turns off.

If the system fails to shut down: return to this screen, then select Ceiling Projector and/or Smart Projector On and Off once again.

BluRay

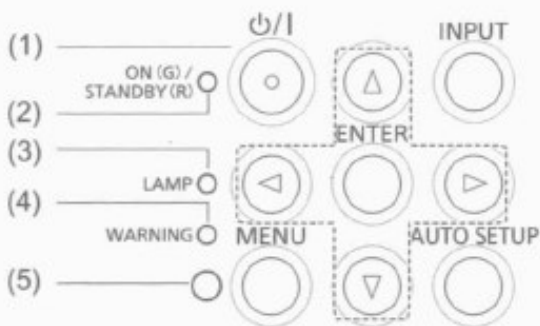
Front Panel Controls



- | | | | |
|-------------------------------|--|------------------------------------|---|
| 1. POWER Button | 4. Disc Tray | 7. USB 2.0 Input | 10. MHL-Compatible HDMI Input |
| 2. POWER Status Indicator | 5. OPEN/CLOSE Tray Button (with backlight) | 8. 3D Output Active Indicator | 11. Playback Control and Navigation Buttons |
| 3. Front Panel Display Window | 6. IR Sensor Window | 9. 4K x 2K Output Active Indicator | |

Projector

Control panel and Indicators



(1) <ON/OFF> button

Turn the projector on/off.

(2) <ON(G)/STANDBY(R)> indicator

Indicate the power status.

(3) <LAMP> indicator

Light yellow when the projection lamp reaches its end of life.

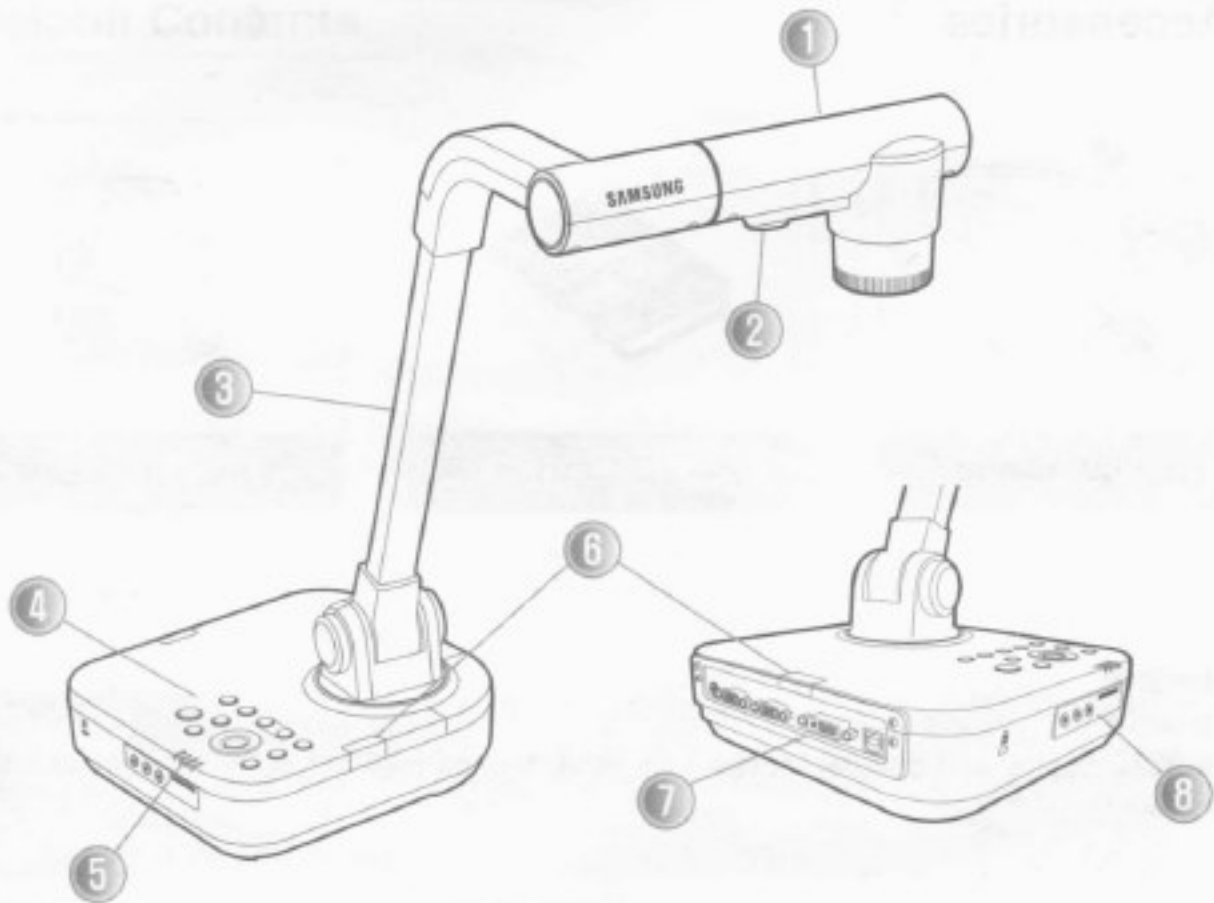
(4) <WARNING> indicator

Indicate the abnormal conditions of the projector.

(5) Ambient Luminance sensor

Detects room's light and select proper image quality.

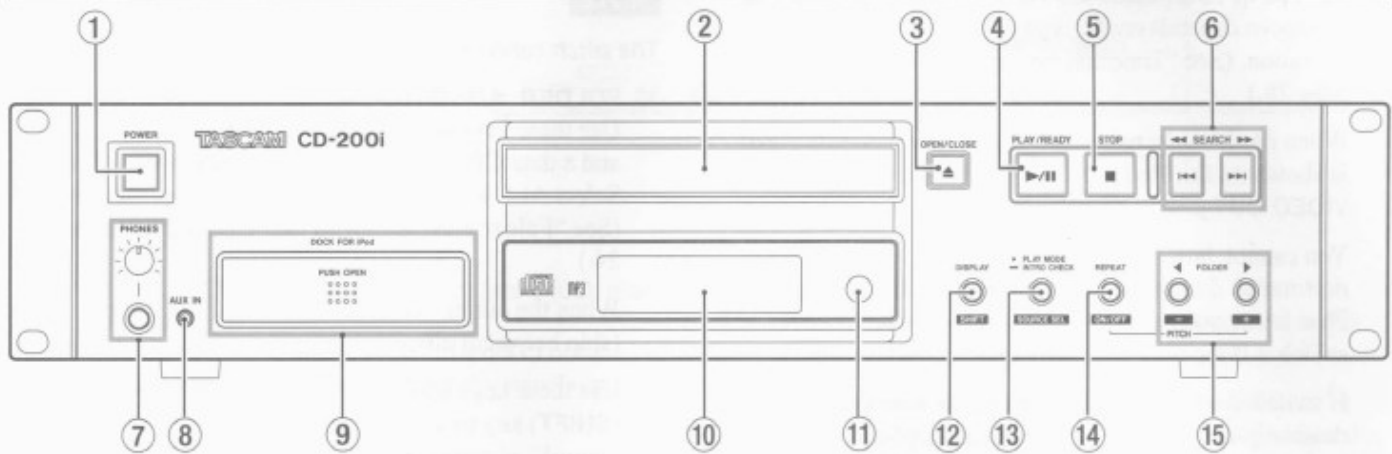
Document Camera



No.	Name
①	Camera
②	LED Light
③	Main Support Column
④	Main Frame Control Board
⑤	Status LED
⑥	Remote Control Signal Receiver
⑦	Rear Connection Terminal
⑧	Side Connection Terminal

CD/iPod Player

Front panel



- ① **POWER switch**
Press this switch to turn the unit on or off.

CAUTION

Before turning on the power, minimize the volume of connected devices. Failure to do so could cause a sudden burst of loud noise, which might result in hearing damage, for example.

- ② **Disc tray**
Insert discs (CD, CD-R, CD-RW) here.
- ③ **OPEN/CLOSE key**
Use to open and close the disc tray.
- ④ **PLAY/READY (▶/||) key (CD and iPod)**
Press during playback to pause. When playback is stopped or paused, press to start playback.
- ⑤ **STOP (■) key (CD and iPod)**
When the output source is set to CD, press this key to stop playback.
When the output source is set to iPod, press this key to pause playback.
- ⑥ **SKIP/SEARCH ◀◀/|◀◀/▶▶/▶▶| keys (CD and iPod)**
Press briefly to select tracks (skip). Press and hold to search a track.
- ⑦ **PHONES jack and knob (CD, iPod and AUX IN)**
Use this standard stereo phones jack to connect stereo headphones. Use a plug adapter when connecting headphones with mini-plugs.

Use the PHONES knob to adjust the headphone output level.

CAUTION

Use the PHONES knob to minimize the volume before connecting headphones. Failure to do so could cause a sudden burst of loud noise, which might result in hearing damage, for example.

- ⑧ **AUX IN jack**
This is a stereo mini-jack audio line input that can be used to connect portable digital players and other external audio devices.

CAUTION

Minimize the volume on the external device before connecting it to the AUX IN jack. Failure to do so could cause a sudden burst of loud noise, which might result in hearing damage, for example.

- ⑨ **DOCK FOR iPod**
Press the front of the iPod dock panel to unlock it so that it can be pulled forward. Insert the appropriate dock adapter and connect the iPod.

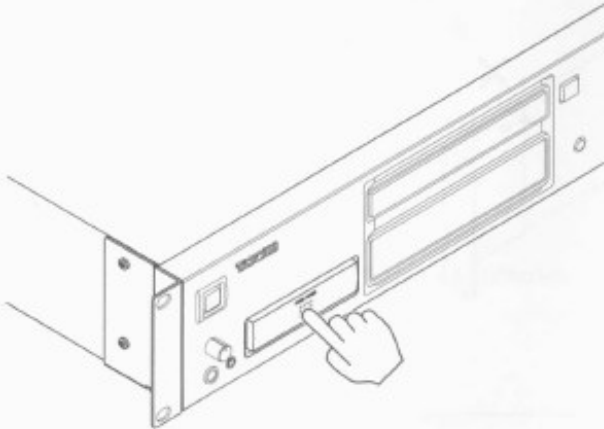
When not in use, remove the iPod and press the dock panel while pressing and holding the CLOSE button until it shuts with a clicking sound. (See “Connecting an iPod” on page 16.)

- ⑩ **Display**
Displays various information.
- ⑪ **Remote Sensor**
When operating the remote control unit (RC-CD200i), point it towards here.

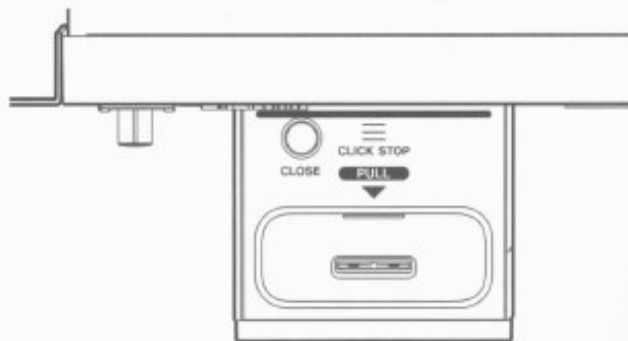
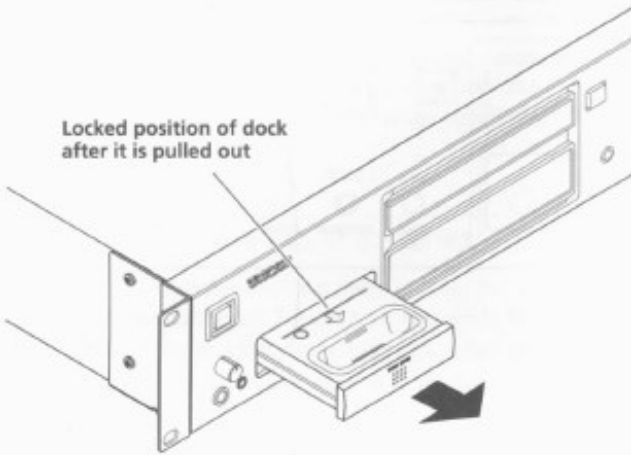
CD/iPod Player Cont.

Opening the iPod dock

Press the center of the iPod dock, where it says "PUSH OPEN" to open the dock, and then pull it out. Pull the iPod dock completely out until it locks into place before using it



Locked position of dock after it is pulled out

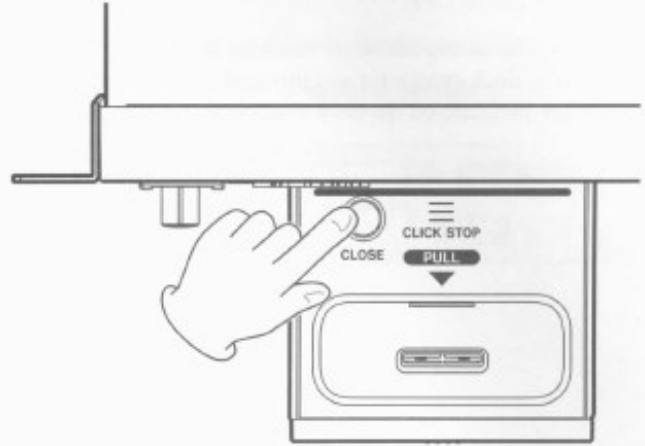


CAUTION

- Do not move the iPod dock left, right, up or down when it is pulled out.
- Do not place anything other than an iPod on the iPod dock when it is pulled out.

Closing the iPod dock

Remove the iPod, and then press the panel while pressing and holding the CLOSE button.



Removing the iPod

- Before connecting or disconnecting an iPod, set the output source to CD or AUX (not iPod), or turn the CD player's power OFF.
- When connecting and disconnecting an iPod, align it with the dock connector and proceed gently to prevent putting pressure on the dock connector.

